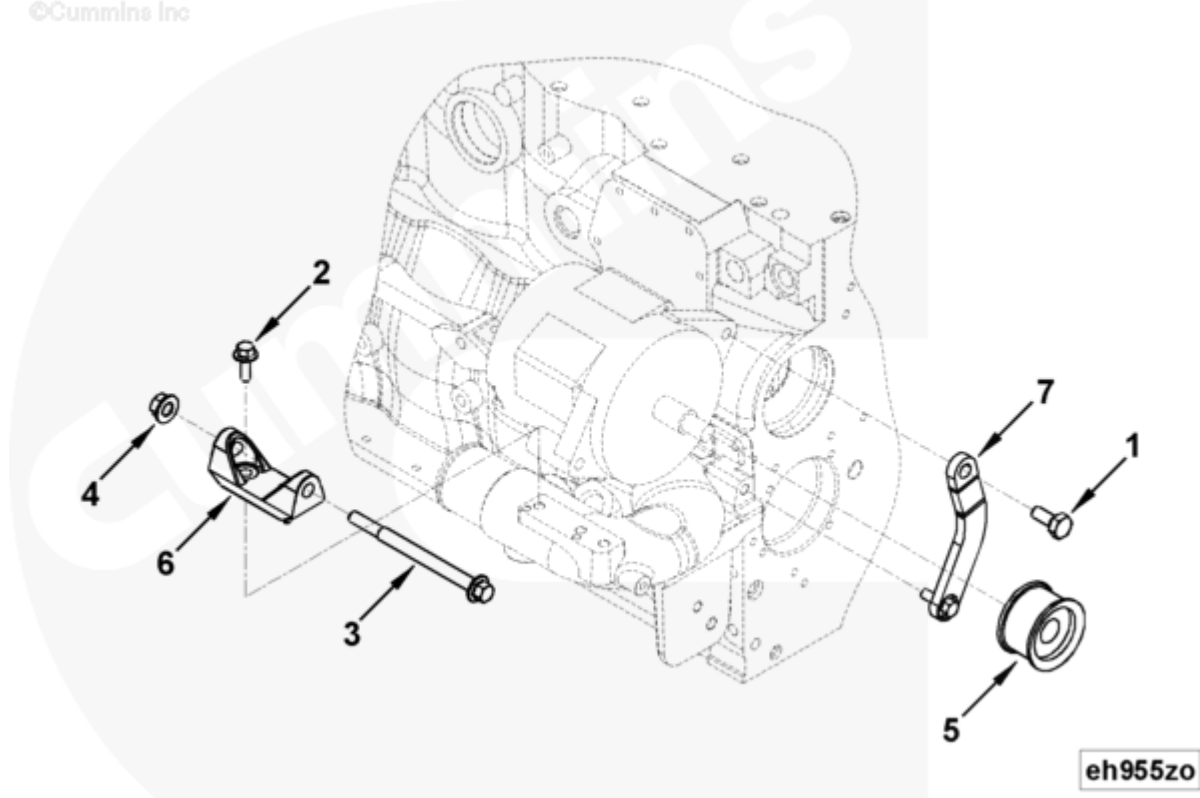




Parts Catalog - Option Detail

Electronic Parts Catalog - Option Detail				
Option	Group	Graphic	Film Card	Date
EH9643-01	13.02.3	eh955zo	T	06-FEB-04
Engines	4B3.9, 6A3.4, 6B5.9, B GAS INTERNATIONAL CM556, B4.5, B4.5 CM2350 B129B, B4.5 CM2350 B146C, B4.5 CM2350 B147B, B4.5 RGT, B4.5S, B5.9 G, B5.9 GAS PLUS CM556, B5.9 LPG, B5.9 LPG PLUS CM556, B6.7 CM2350 B121B, B6.7 CM2350 B135B, B6.7 CM2350 B136C, B6.7 CM2350 B148B, B6.7 G CMOH6.0 B125, B6.7N CM2380 B150B, B6.7S, F3.8 CM2350 F120B, F3.8 CM2350 F128C, F3.8 CM2350 F132B, F3.8 F102, G3.9, G5.9, G5.9 CM558, ISB (CHRYSLER), ISB CM2150, ISB CM2150 E, ISB CM550, ISB CM850, ISB/ISD4.5 CM2150 B119, ISB/ISD4.5 CM2150 SN, ISB/ISD6.7 CM2150 B120, ISB/ISD6.7 CM2150 SN, ISB/ISD6.7 CM2880 B126, ISB3.9 CM2220 B107, ISB4.5 CM2150, ISB5.9G CM2180, ISB6.7 2010 DCX PICKUP, ISB6.7 2013 DCX CHASSIS CAB, ISB6.7 CM2150 SQ, ISB6.7 CM2250, ISB6.7 CM2350 B101, ISB6.7 CM2350 B103, ISB6.7 CM2350 B142, ISB6.7 CM2670 B153B, ISB6.7 G CM2180 B118, ISBE CM2150, ISBE CM800, ISBE2/ISBE3 CM850, ISBE4 CM850, ISD4.5 CM2150, ISD6.7 CM2880 D101, ISF2.8 CM2220, ISF2.8 CM2220 AN, ISF2.8 CM2220 EC, ISF2.8 CM2220 ECF2, ISF2.8 CM2220 F101, ISF2.8 CM2220 F117, ISF2.8 CM2220 F122, ISF2.8 CM2220 F126, ISF2.8 CM2220 F129, ISF2.8 CM2220 IAN, ISF3.8 CM2220, ISF3.8 CM2220 AN, ISF3.8 CM2220 F103, ISF3.8 CM2220 F110, ISF3.8 CM2220 F116, ISF3.8 CM2220 F134B, ISF3.8 CM2220 IAN, ISF3.8 CM2350 F109, ISF4.5 CM2220 F123, ISG11 CM2880 G106, ISG11 CM2880 G108, ISG12 CM2880 G107, ISG12 CM2880 G109, ISG12 G CMOH6.0 G111, QSB3.9 30 CM550, QSB3.9 CM2880 B138, QSB4.5 30 CM550, QSB4.5 CM2150 B108, QSB4.5 CM2250 B131, QSB4.5 CM2250 EC, QSB4.5 CM2350 B106, QSB4.5 CM2350 B122			



[SMALL](#) | [MEDIUM](#) | [LARGE](#)

Cart	Ref No	Part Number	Part Description	Required	Remarks
<input type="button" value="View My Cart"/>					
		EH9643-01	Alternator Mounting		Alternator Mounting...(More)

					To Suit Alternator
					Manufacturing/Model:
					Delco 22 SI
					Alternator Support Type:
					98.5 mm Spool
					Alternator CL From Engine CL
					(mm): -268.0
					Alternator CL From Crank CL
					(mm): 226.0
					Alternator Pulley Diameter
					Over 2.5 mm Balls (mm): 61.13
					Alternator Pulley Groove
					Type: Poly Vee 8 Rib K
					Alternator Drive Ratio: 2.8:1
					Alternator Pulley Location:
					FFOB to CL of First Groove
					(mm): 54.9
					Crank Pulley Diameter Over
					2.5 mm Balls (mm): 175
					Tensioner Pivot From CL of
					Engine (mm): -266.4
					Tensioner Pivot From CL of
					Crank (mm): 54.2
					Tensioner Pulley CL From
					Engine CL (mm): -205.0
					Tensioner Pulley CL From
					Crank CL (mm): 120.0
					Tensioner Pulley Diameter
					Over 2.5 mm Balls (mm): 73.95

					Tensioner Pulley Type:
					Grooved
<input type="checkbox"/>	1	3052061	Hexagon Head Cap Screw	1	1/2 - 13 x 1 in.
<input type="checkbox"/>	2	3902460	Hexagon Flange Head Cap Screw	3	M10 X 1.50 X 25.
<input type="checkbox"/>	3	3903105	Hexagon Flange Head Cap Screw	1	M12 X 1.75 X 150.
<input type="checkbox"/>	4	3903210	Hexagon Flange Nut	1	M12 X 1.75.
<input type="checkbox"/>	5	3918275	Alternator Pulley	1	
<input type="checkbox"/>	6	3969163	Alternator Support	1	
<input type="checkbox"/>	7	3971982	Alternator Bracket	1	

© 2019 Cummins Inc., Box 3005, Columbus, IN 47202-3005 U.S.A.
Terms of Use and Disclaimers | Recommended System Requirements
Need Assistance? Please click on the Contact Us button in the top right corner of any page.